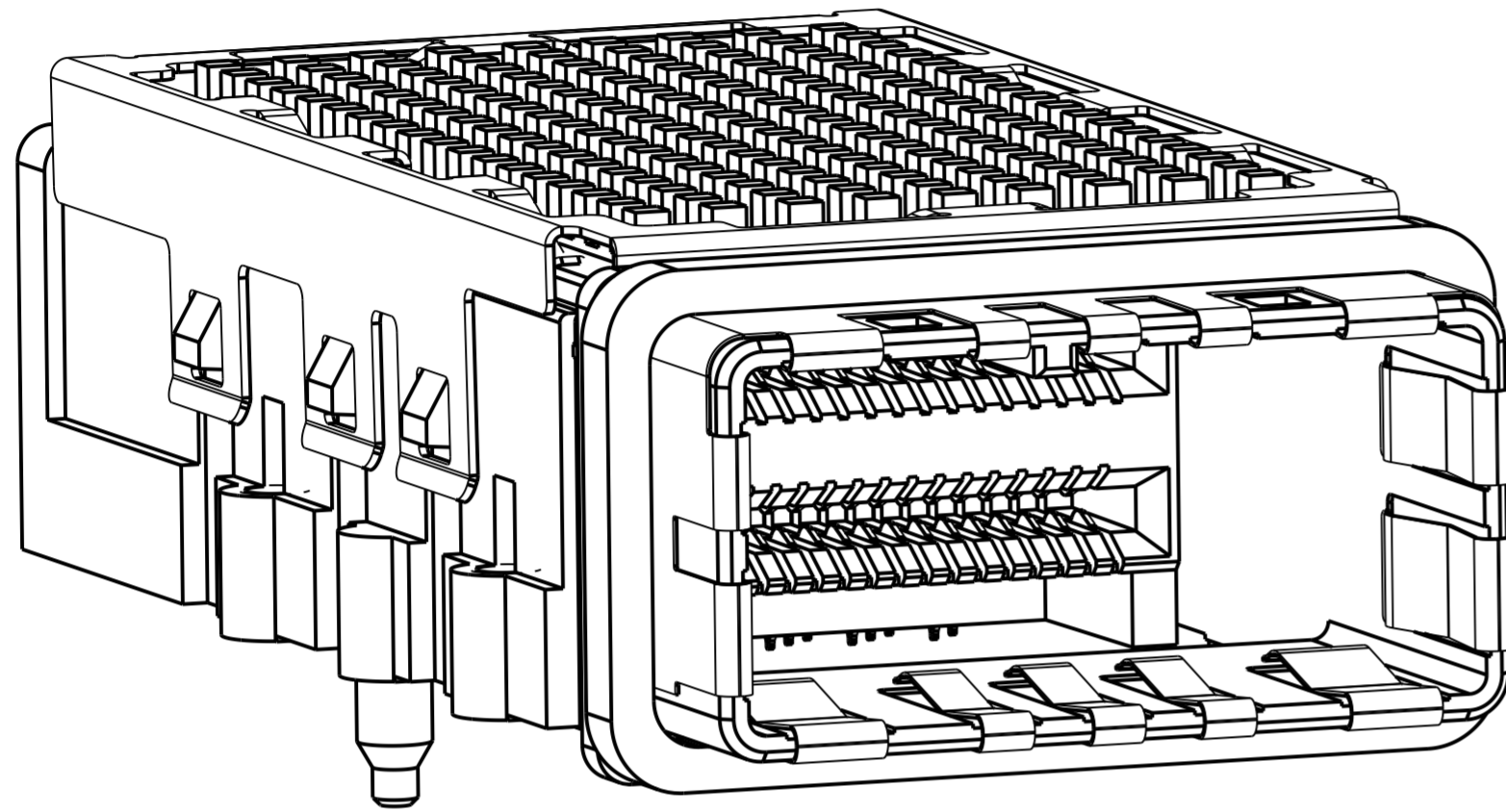
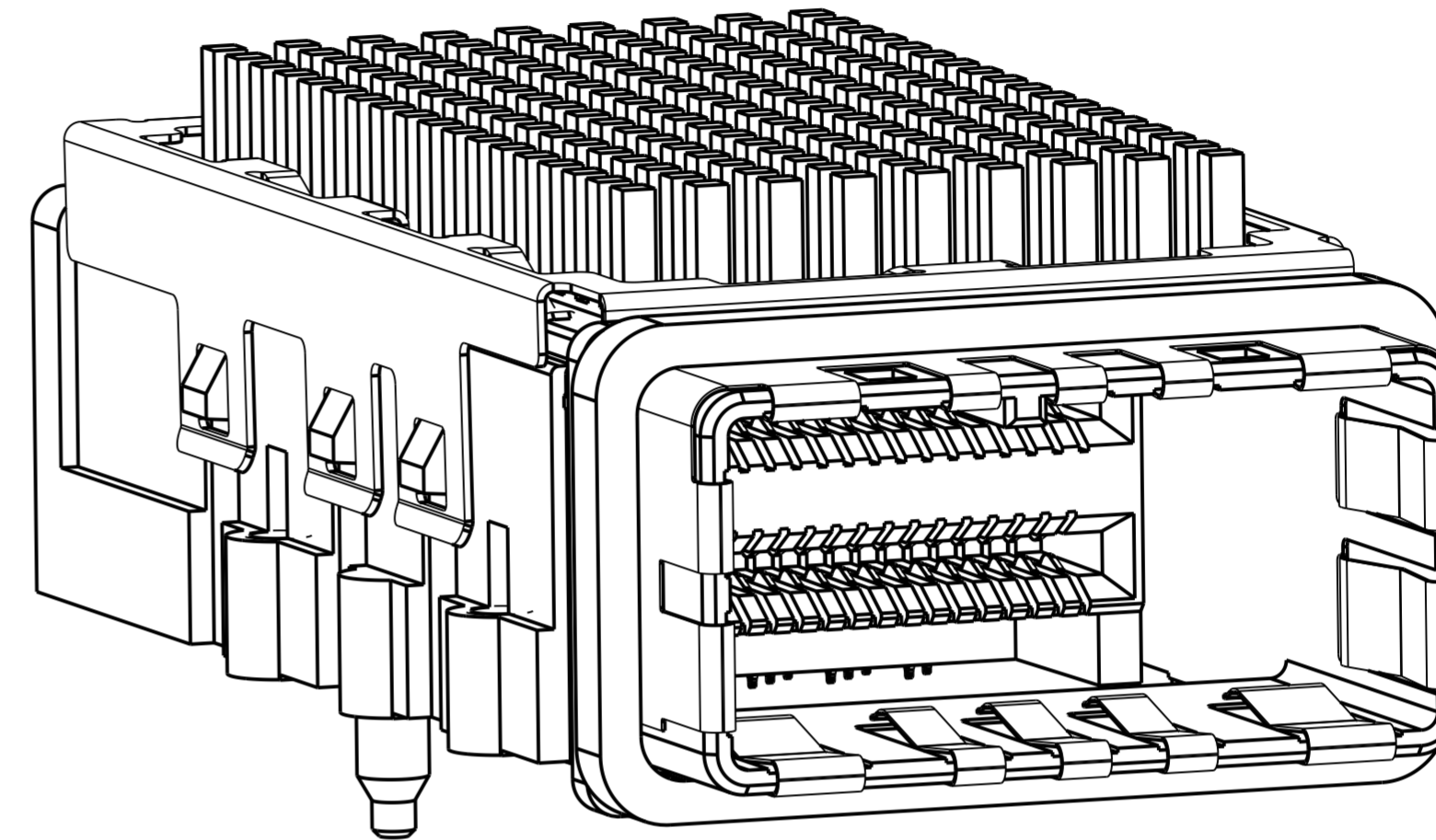


THIS DRAWING IS UNPUBLISHED. RELEASED FOR PUBLICATION 20  
 © COPYRIGHT 20 BY - ALL RIGHTS RESERVED.

| REVISIONS |     |                        |           |        |
|-----------|-----|------------------------|-----------|--------|
| P         | LTR | DESCRIPTION            | DATE      | APVD   |
| A         |     | RELEASED ECO-14-003843 | 31MAR2014 | LAW SB |
|           |     |                        |           |        |
|           |     |                        |           |        |



2149157-1  
SCALE 5:1



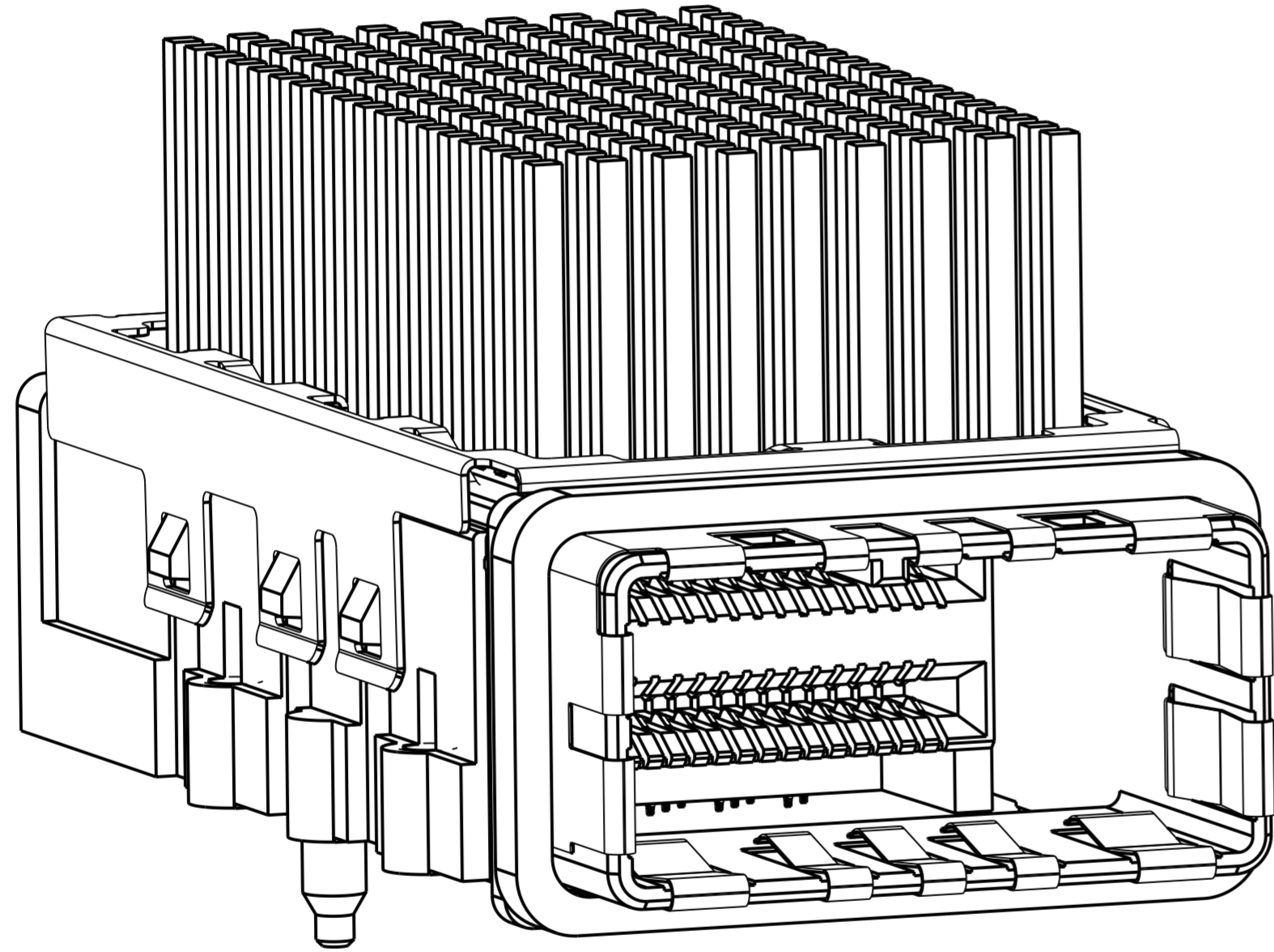
2149157-3  
SCALE 5:1

|          |      |                                 |        |  |             |
|----------|------|---------------------------------|--------|--|-------------|
| OBSOLETE | 23.5 | 2149448-2                       | 3      | 84 POSITION RECEPTACLE ASSEMBLY WITH HEAT SINK | 2149157-6   |
|          | 23.5 | 2149448-1                       | 2      | 84 POSITION RECEPTACLE ASSEMBLY WITH HEAT SINK | 2149157-5   |
| OBSOLETE | 16.5 | 2149448-2                       | 3      | 84 POSITION RECEPTACLE ASSEMBLY WITH HEAT SINK | 2149157-4   |
|          | 16.5 | 2149448-1                       | 2      | 84 POSITION RECEPTACLE ASSEMBLY WITH HEAT SINK | 2149157-3   |
| OBSOLETE | 14.2 | 2149448-2                       | 3      | 84 POSITION RECEPTACLE ASSEMBLY WITH HEAT SINK | 2149157-2   |
|          | 14.2 | 2149448-1                       | 2      | 84 POSITION RECEPTACLE ASSEMBLY WITH HEAT SINK | 2149157-1   |
| E        |      | RECEPTACLE HOUSING SUB-ASSEMBLY | FINISH | DESCRIPTION                                    | PART NUMBER |

|  |             |                                    |   |
|--|-------------|------------------------------------|---|
| THIS DRAWING IS A CONTROLLED DOCUMENT. DIMENSIONING AND TOLERANCING PER ASME Y14.5M-2009 |             | DWN 09 JUN 2010<br>M. E. COWHER    | <b>STE</b> TE Connectivity                                |
| DIMENSIONS: mm   |             | CHK 10 JUN 2010<br>M. D. MORRISON  |   |
| TOLERANCES UNLESS OTHERWISE SPECIFIED:   |             | APVD 10 JUN 2010<br>M. D. MORRISON | NAME RECEPTACLE ASSEMBLY WITH HEAT SINK, 84 POSITION, CXP |
| 0 PLC ±0.15  | 1 PLC ±0.15 | PRODUCT SPEC 108-2426              | SIZE CAGE CODE DRAWING NO RESTRICTED TO                   |
| 2 PLC ±0.15  | 3 PLC ±     | APPLICATION SPEC 114-13283         | A200779 C-2149157   |
| 4 PLC ±  | ANGLES ±    | WEIGHT -                           | SCALE 1:1 SHEET 1 OF 5 REV A                              |
| MATERIAL FINISH  |             | Customer Drawing                   |   |

THIS DRAWING IS UNPUBLISHED. RELEASED FOR PUBLICATION 20  
 © COPYRIGHT 20 BY - ALL RIGHTS RESERVED.

| REVISIONS |     |             |      |      |
|-----------|-----|-------------|------|------|
| P         | LTR | DESCRIPTION | DATE | APVD |
| -         |     | SEE SHEET 1 | -    | -    |
|           |     |             |      |      |
|           |     |             |      |      |



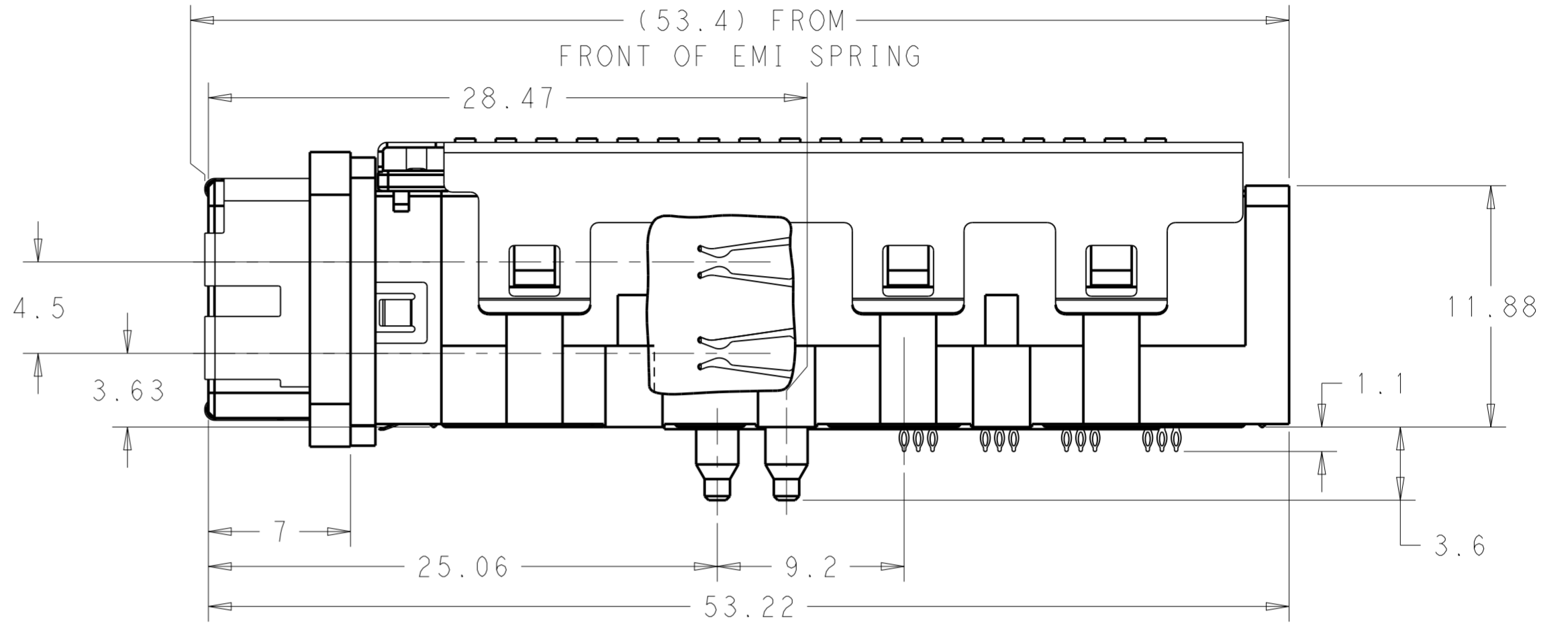
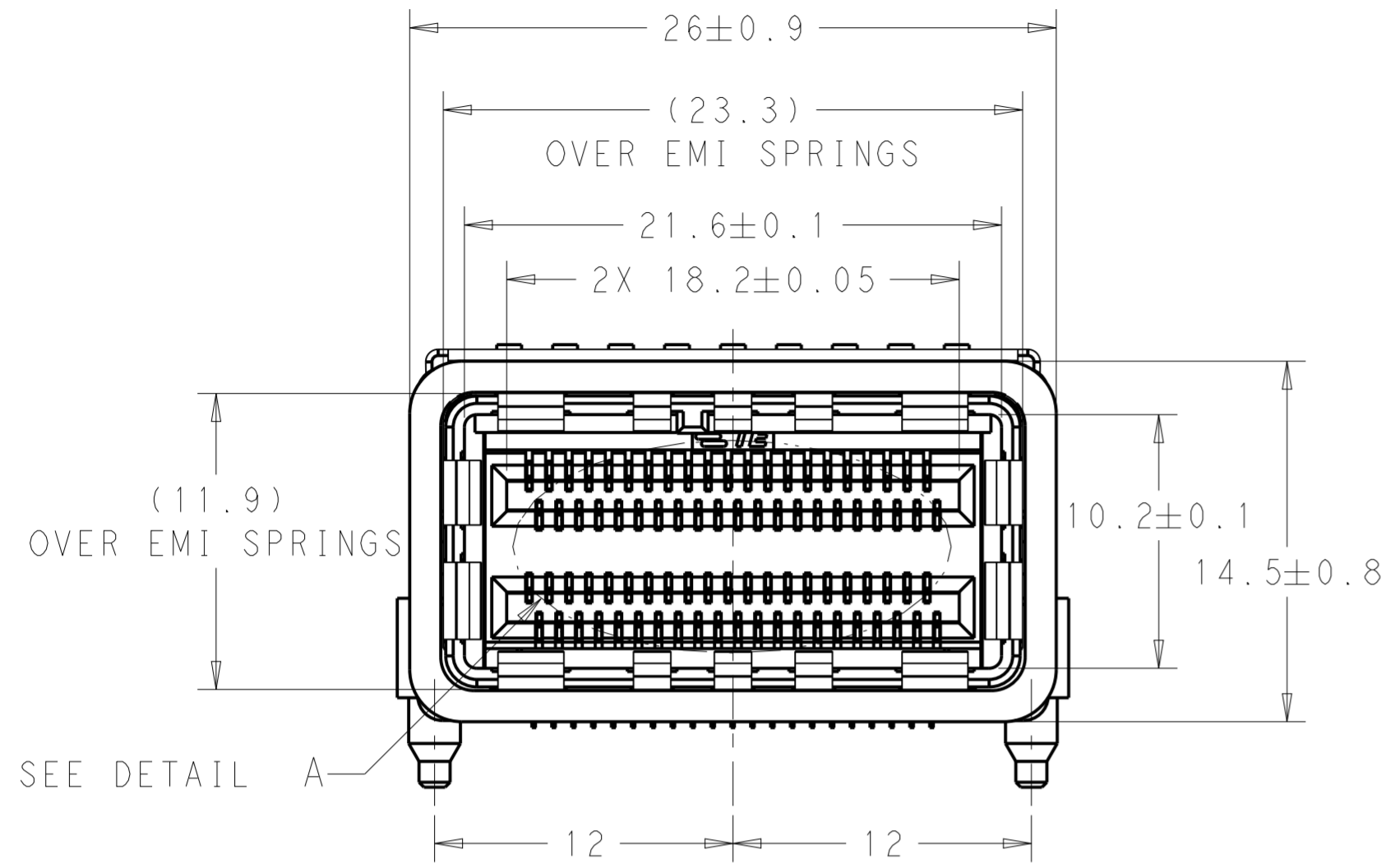
2149157-5  
SCALE 5:1

- 1. MATERIALS:  
 HOUSING - ZINC ALLOY  
 EMI GASKET - CONDUCTIVE URETHANE FOAM  
 RECEPTACLE HOUSING - LCP, BLACK, UL 94V-0 RATED  
 CHICKLET - LCP, BLACK, UL 94V-0 RATED  
 CONTACT - PHOSPHOR BRONZE  
 EMI SPRING - COPPER ALLOY  
 HEAT SINK - ALUMINUM  
 CLIP, HEAT SINK - STAINLESS STEEL
- 2. FINISH:  
 CONTACT-CONFORMS TO THE REQUIREMENTS OF TE  
 PRODUCT SPECIFICATION 108-2426, BASED ON EIA/ECA-364-1000.01A,  
 (CONTROLLED ENVIRONMENT APPLICATIONS) ON MATING INTERFACE,  
 MATTE TIN PLATE OVER NICKEL UNDERPLATE ON COMPLAINT PIN  
 HOUSING & HEATSINK - NICKEL PLATE
- 3. NOTE DELETED
- 4. PCB THICKNESS = 1.57 MIN
- 5. FOR HOLE SIZE AND FINISHES, SEE APPLICATION SPEC 114-13283
- 6. THE ENTIRE AREA OF THE CONNECTOR FOOTPRINT, INDICATED  
 BY CROSSHATCHING, TO BE CONSIDERED THE KEEPOUT AREA FOR  
 COMPONENTS AND SIGNAL TRACES, TOP SIDE ONLY, TOP SIDE  
 TRACES ALLOWED WITHIN CONNECTOR HOLE PATTERN, CROSSHATCHING  
 TO BE CONDUCTIVE
- 7. MOUNTING HARDWARE REQUIRED:  
 M2x0.4 (4)  
 MOUNTING SCREW LENGTH = BOARD THICKNESS PLUS 4mm MAX
- 8. COMPONENTS PACKAGED UNASSEMBLED

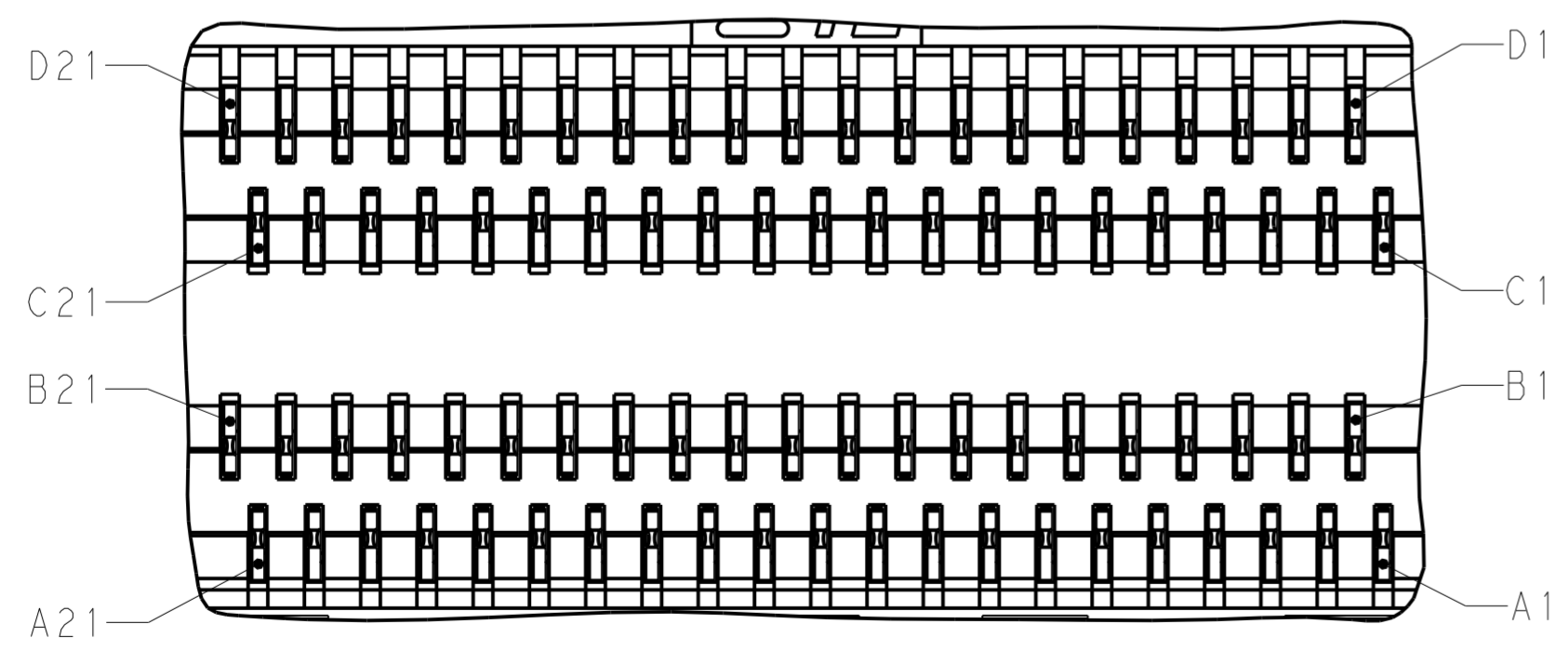
|  |  |                                       |   |                    |
|--|--|---------------------------------------|---|--------------------|
| THIS DRAWING IS A CONTROLLED DOCUMENT.<br>DIMENSIONING AND TOLERANCING<br>PER ASME Y14.5M-2009 |  | DWN<br>M. E. COWHER<br>09 JUN 2010    | TE Connectivity   |                    |
| DIMENSIONS:<br>mm  |  | CHK<br>M. D. MORRISON<br>10 JUN 2010  |   |                    |
| TOLERANCES UNLESS<br>OTHERWISE SPECIFIED:  |  | APVD<br>M. D. MORRISON<br>10 JUN 2010 | NAME<br>RECEPTACLE ASSEMBLY WITH HEAT SINK,<br>84 POSITION, CXP |                    |
| 0 PLC ±0.15<br>1 PLC ±0.15<br>2 PLC ±0.15<br>3 PLC ±<br>4 PLC ±<br>ANGLES ±<br>FINISH ±        |  | PRODUCT SPEC<br>108-2426              | RESTRICTED TO   |                    |
| MATERIAL   |  | APPLICATION SPEC<br>114-13283         | SIZE<br>A2  | CAGE CODE<br>00779 |
| 1  |  | WEIGHT<br>-                           | DRAWING NO<br>C-2149157   | REV<br>A           |
| 2  |  | Customer Drawing                      | SCALE<br>1:1  | SHEET<br>2 OF 5    |

THIS DRAWING IS UNPUBLISHED. RELEASED FOR PUBLICATION 20  
 © COPYRIGHT 20 BY - ALL RIGHTS RESERVED.


| REVISIONS |     |             |      |      |
|-----------|-----|-------------|------|------|
| P         | LTR | DESCRIPTION | DATE | APVD |
| -         |     | SEE SHEET 1 | -    | -    |
|           |     |             |      |      |
|           |     |             |      |      |



2149157-1  
 SCALE 4:1



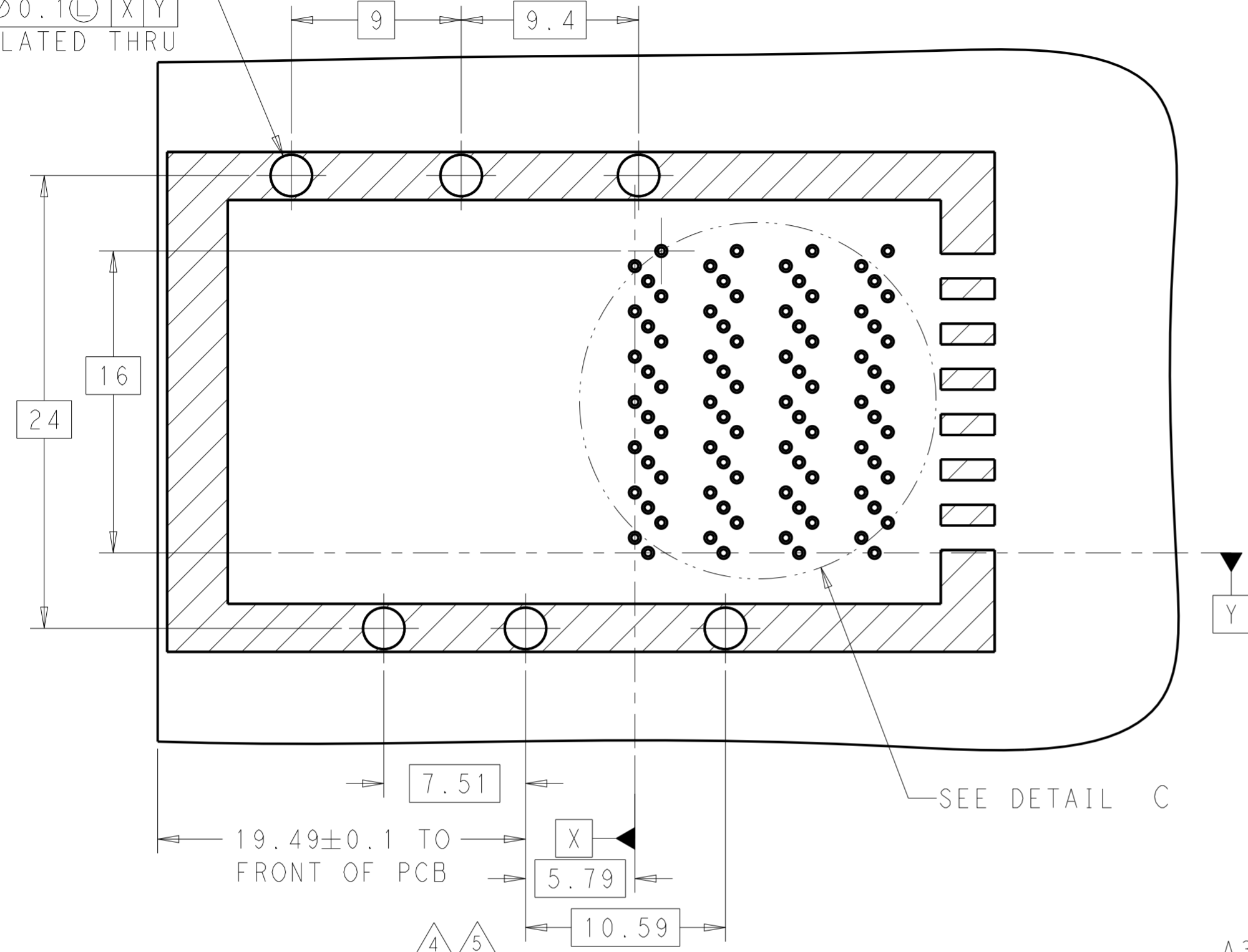
DETAIL A  
 CONNECTOR PIN CALLOUT  
 SCALE 10:1

|  |             |                                    |   |
|--|-------------|------------------------------------|---|
| THIS DRAWING IS A CONTROLLED DOCUMENT. DIMENSIONING AND TOLERANCING PER ASME Y14.5M-2009 |             | DWN 09 JUN 2010<br>M. E. COWHER    |  TE Connectivity |
| DIMENSIONS: mm   |             | CHK 10 JUN 2010<br>M. D. MORRISON  |   |
| TOLERANCES UNLESS OTHERWISE SPECIFIED:   |             | APVD 10 JUN 2010<br>M. D. MORRISON | NAME RECEPTACLE ASSEMBLY WITH HEAT SINK, 84 POSITION, CXP   |
| 0 PLC ±0.15  | 1 PLC ±0.15 | PRODUCT SPEC 108-2426              | SIZE CAGE CODE DRAWING NO RESTRICTED TO   |
| 2 PLC ±0.15  | 3 PLC ±     | APPLICATION SPEC 114-13283         | A200779 C-2149157   |
| 4 PLC ±  | ANGLES ±    | WEIGHT -                           | SCALE 4:1 SHEET 3 OF 5 REV A  |
| MATERIAL FINISH  |             | Customer Drawing                   |   |

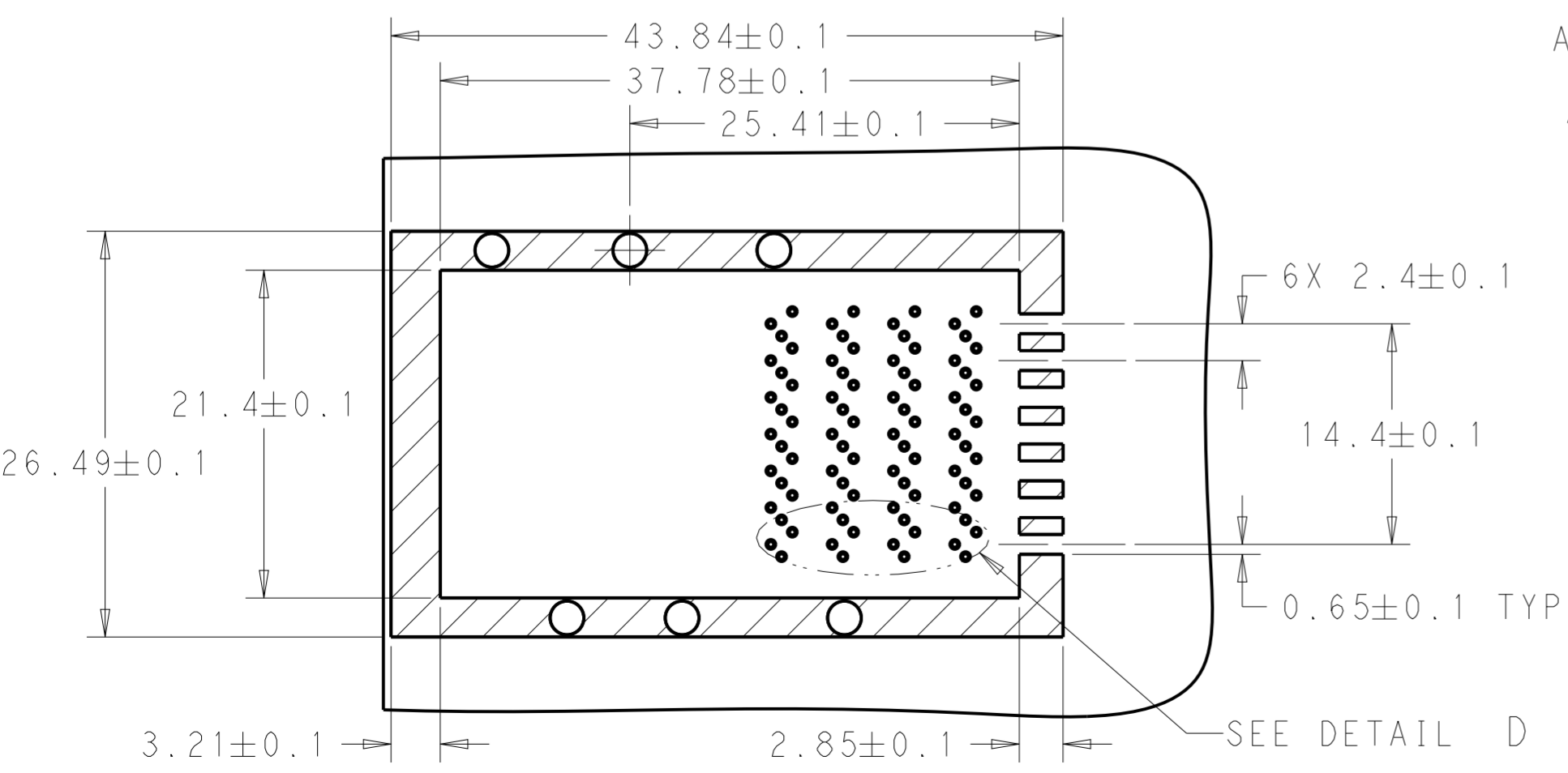
THIS DRAWING IS UNPUBLISHED. RELEASED FOR PUBLICATION 20  
 © COPYRIGHT 20 BY - ALL RIGHTS RESERVED.

| REVISIONS |     |             |      |      |
|-----------|-----|-------------|------|------|
| P         | LTR | DESCRIPTION | DATE | APVD |
| -         | -   | SEE SHEET 1 | -    | -    |

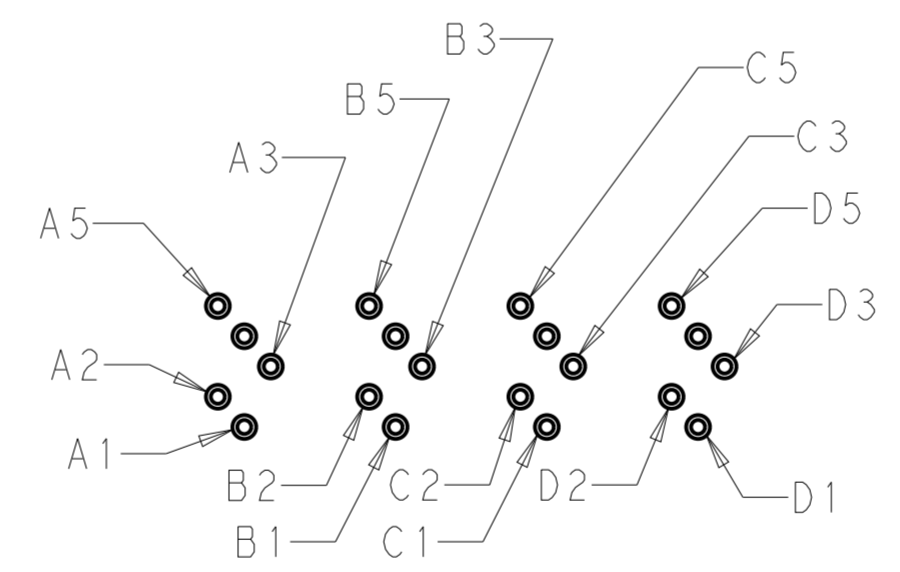
6X  $\varnothing 2.2 \pm 0.05$   
 $\oplus \varnothing 0.1 \text{ (L) X Y}$   
 PLATED THRU



RECOMMENDED PCB LAYOUT  
 COMPONENT SIDE SHOWN  
 SCALE 4:1

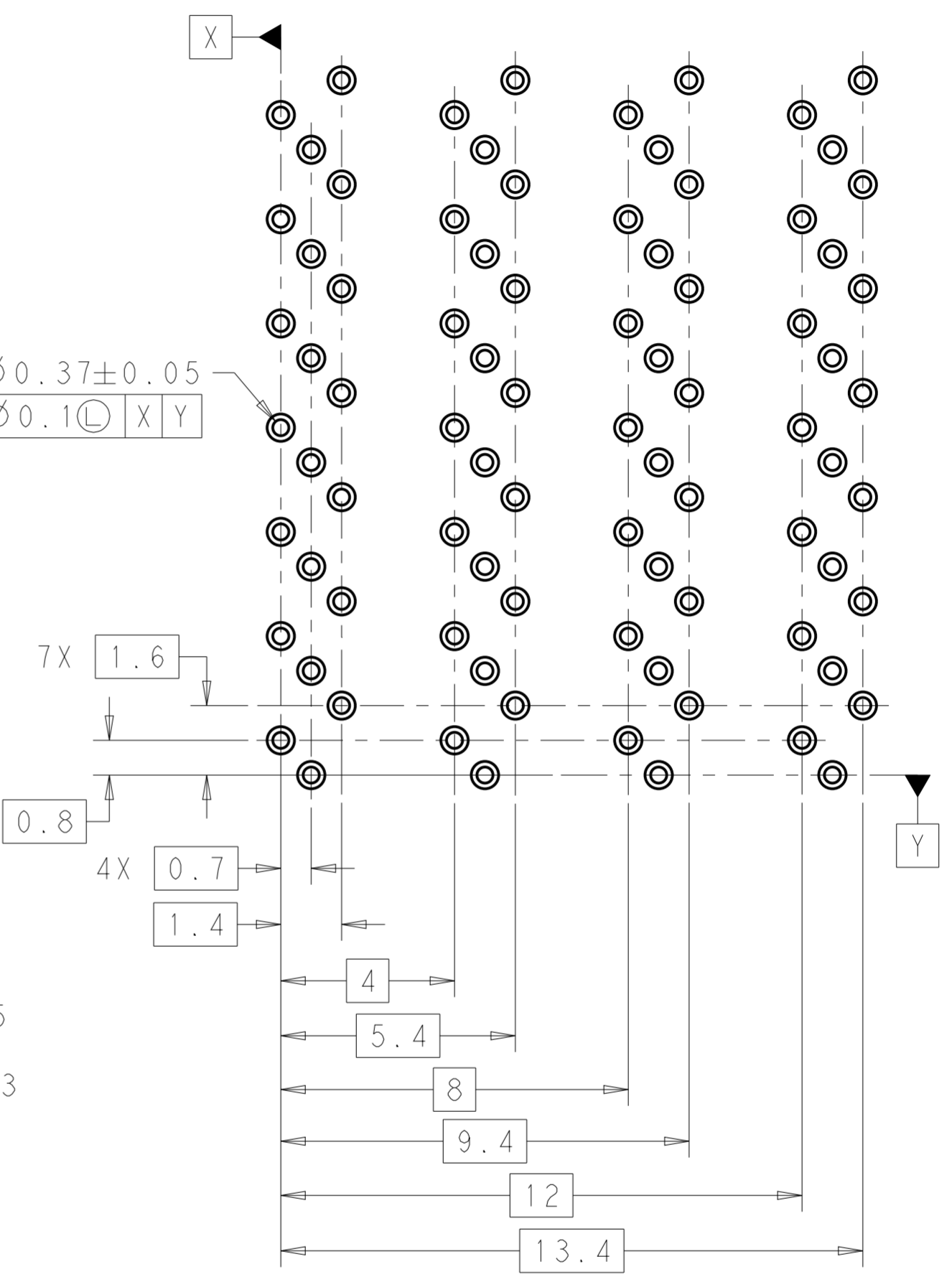


RECOMMENDED KEEPOUT AREA  
 SCALE 5:2



DETAIL D  
 PIN CALLOUT (TYPICAL)  
 SCALE 5:1

84X  $\varnothing 0.37 \pm 0.05$   
 $\oplus \varnothing 0.1 \text{ (L) X Y}$

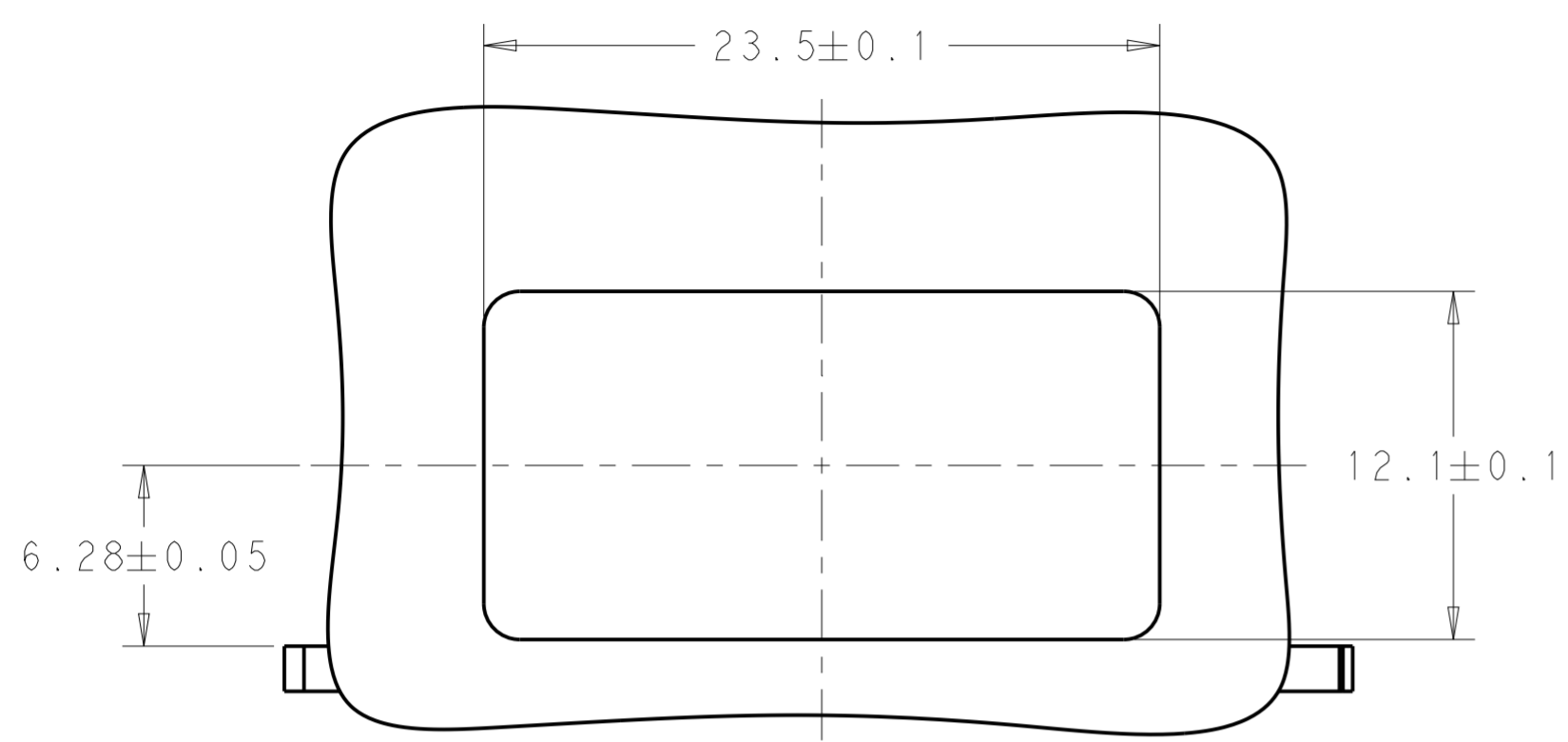


DETAIL C  
 RECOMMENDED CONNECTOR LAYOUT  
 SCALE 8:1

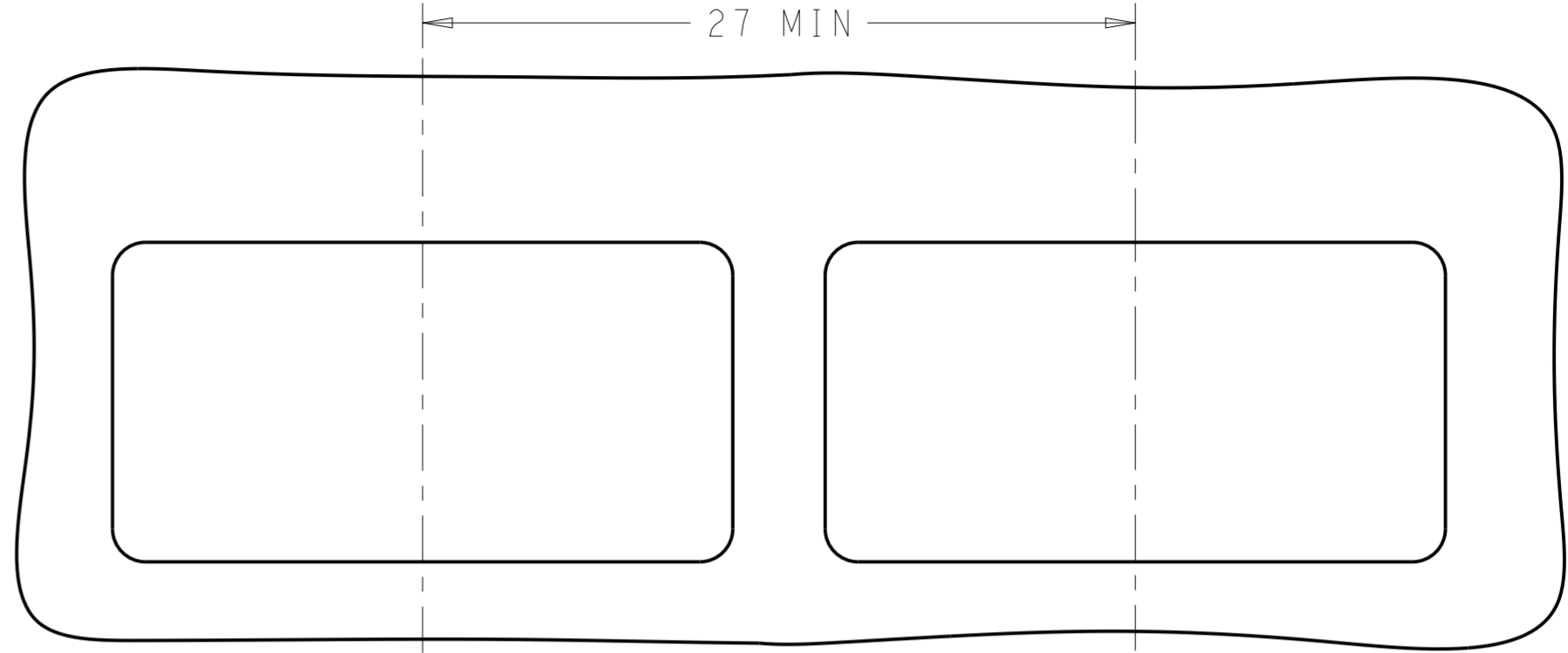
|  |             |                                       |  |                    |
|--|-------------|---------------------------------------|--|--------------------|
| THIS DRAWING IS A CONTROLLED DOCUMENT. DIMENSIONING AND TOLERANCING PER ASME Y14.5M-2009 |             | DWN<br>M. E. COWHER<br>09 JUN 2010    | TE Connectivity  |                    |
| DIMENSIONS: mm   |             | CHK<br>M. D. MORRISON<br>10 JUN 2010  |  |                    |
| TOLERANCES UNLESS OTHERWISE SPECIFIED:   |             | APVD<br>M. D. MORRISON<br>10 JUN 2010 | NAME<br>RECEPTACLE ASSEMBLY WITH HEAT SINK, 84 POSITION, CXP |                    |
| 0 PLC ±0.15  | 1 PLC ±0.15 | PRODUCT SPEC<br>108-2426              | RESTRICTED TO  |                    |
| 2 PLC ±0.15  | 3 PLC ±     | APPLICATION SPEC<br>114-13283         | SIZE<br>A2   | CAGE CODE<br>00779 |
| 4 PLC ±  | ANGLES ±    | WEIGHT<br>-                           | DRAWING NO<br>C-2149157                                      | REV<br>A           |
| MATERIAL FINISH  |             | Customer Drawing                      | SCALE<br>3:1   | SHEET<br>4 OF 5    |

THIS DRAWING IS UNPUBLISHED. RELEASED FOR PUBLICATION 20  
 © COPYRIGHT 20 BY - ALL RIGHTS RESERVED.

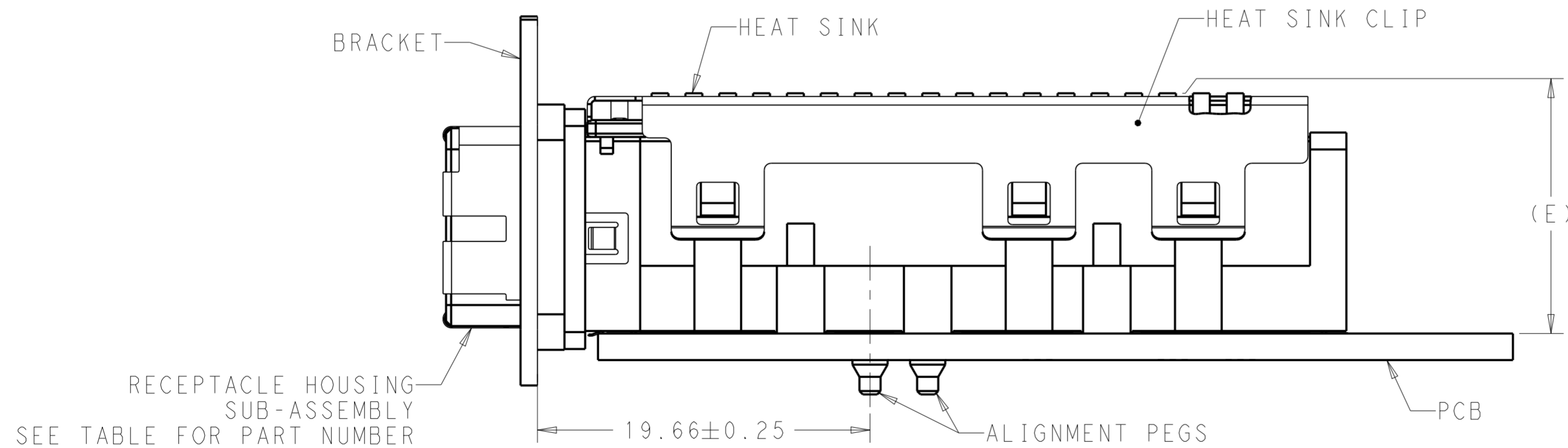
| REVISIONS |     |             |      |     |      |
|-----------|-----|-------------|------|-----|------|
| P         | LTR | DESCRIPTION | DATE | DWN | APVD |
| -         |     | SEE SHEET 1 | -    | -   | -    |
|           |     |             |      |     |      |
|           |     |             |      |     |      |



RECOMMENDED BRACKET CUT-OUT  
SCALE 4:1



RECOMMENDED BRACKET CUT-OUT SPACING  
SCALE 4:1



RECOMMEND BRACKET LOCATION AND  
HEIGHT OF HEAT SINK MEASURED FROM PCB  
SCALE 4:1

|  |             |                                    |   |                      |
|--|-------------|------------------------------------|---|----------------------|
| THIS DRAWING IS A CONTROLLED DOCUMENT. DIMENSIONING AND TOLERANCING PER ASME Y14.5M-2009 |             | DWN 09 JUN 2010<br>M. E. COWHER    | <b>STE</b> TE Connectivity                                |                      |
| DIMENSIONS: mm   |             | CHK 10 JUN 2010<br>M. D. MORRISON  |   |                      |
| TOLERANCES UNLESS OTHERWISE SPECIFIED:   |             | APVD 10 JUN 2010<br>M. D. MORRISON | NAME RECEPTACLE ASSEMBLY WITH HEAT SINK, 84 POSITION, CXP |                      |
| 0 PLC ±0.15  | 1 PLC ±0.15 | PRODUCT SPEC 108-2426              | SIZE  | CAGE CODE            |
| 2 PLC ±0.15  | 3 PLC ±     | APPLICATION SPEC 114-13283         | A200779   | DRAWING NO C-2149157 |
| 4 PLC ±  | ANGLES ±    | WEIGHT -                           | RESTRICTED TO   |                      |
| MATERIAL FINISH  |             | Customer Drawing                   | SCALE 4:1   | SHEET 5 OF 5 REV A   |